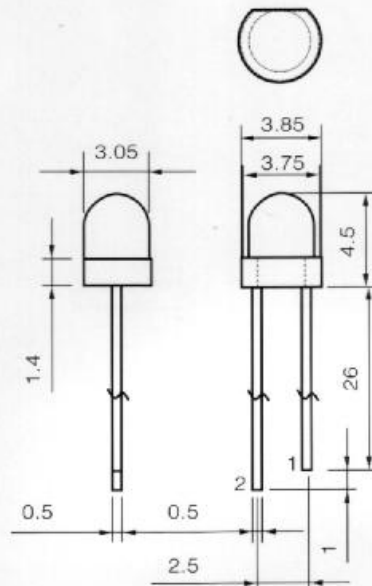


Single Color LED Lamp

■ Package Outline Drawing



Unit : mm
Tolerance : ± 0.1
1 : Cathode
2 : Anode

Protruded resin under flange 1.5mm (0.59") max

Electro-Optical Characteristics

Part Number	Lighting Color	Material	Lens Color	$I_f = 20\text{mA}$			
				V_f (Typ)	λ_p	I_v (Typ)	View Angel
ML3MRD1F	Red	GaP	Red Diffused	2.2	700	2	60
ML3MHD1F	Red	GaAsP	Red Diffused	2.0	630	20	60
ML3MHY1F	Yellow	GaAsP	Yellow Diffused	2.2	590	15	60
ML3MYG1F	Green	Gap	Green Diffused	2.2	570	18	60
ML3MPG1F	Green	GaP	Green Diffused	2.25	555	3	60
ML3MSR3F-H8B	Red	GaAlAs	Water Clear	1.8	660	150	45
ML3MSB3F-HAC	Red	GaAlAs	Water Clear	1.8	660	280	45
ML3MUR3F-HCE	Red	GaAlAs	Water Clear	1.8	660	450	45
ML3MRT3F-H9I	Red	A1GaInP	Water Clear	2.0	642	1,600	45
ML3MR13F-H9H	Red	A1GaInP	Water Clear	2.0	632	800	45
ML3MA13F-H9H	Amber	A1GaInP	Water Clear	2.0	610	800	45
ML3MY13F-H9H	Yellow	A1GaInP	Water Clear	2.0	590	800	45
ML3MG63F-H9E	Green	A1GaInP	Water Clear	2.0	570	300	45
ML3MG43H-HEJ	Green	InGaN	Water Clear	3.5	525	1,000	45
ML3MG23H-HEJ	Green	InGaN	Water Clear	3.5	505	900	45
ML3MB13H-HEF	Blue	InGaN	Water Clear	3.5	465	600	45
ML3MW13H-HEE	White	InGaN	Water Clear	3.5	-	1,500	45

Absolute Maximum Ratings

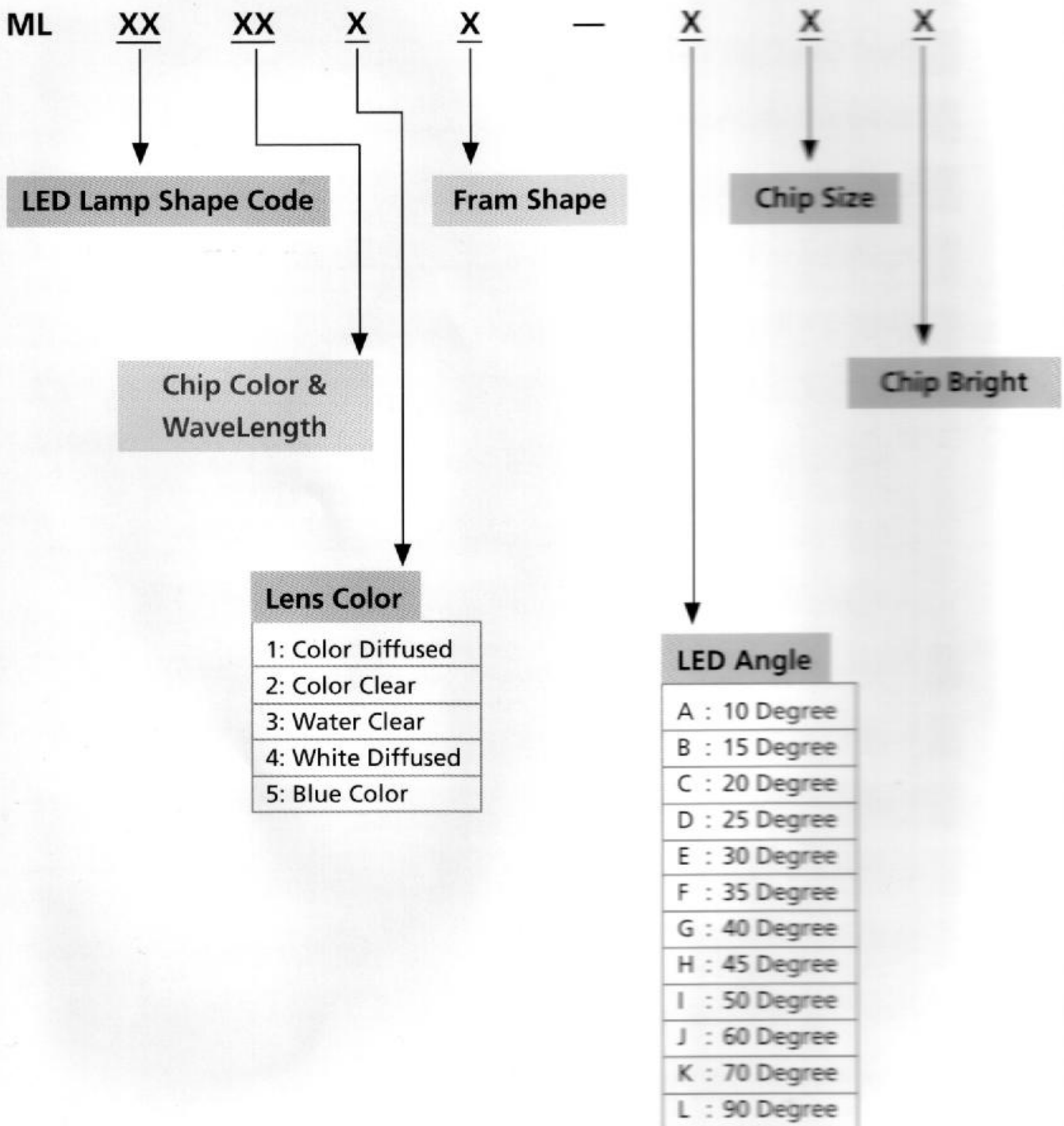
Material	P_d (mW)	I_f (mA)	I_{fp} (mA)	V_R (V)	T_{OP} (°C)	T_{ST} (°C)
GaP & GaAsP	85	20				
GaAlAs	100	20	100 ^{REMARK}	5	-25 ~ +100	-40 ~ +100
InAlGaP & InGaN	110	25				

($T_a=25^\circ\text{C}$)

REMARK : Condition for I_{fp} is pulse of 1/10 duty and 0.1 msec width.

MIC Item Number System

Single Color LED Lamp Series



Remark: For the single color LED lamp in the material of GaP & GaAsP, its item number will be showed in only the front 8 alphabets to instead.