

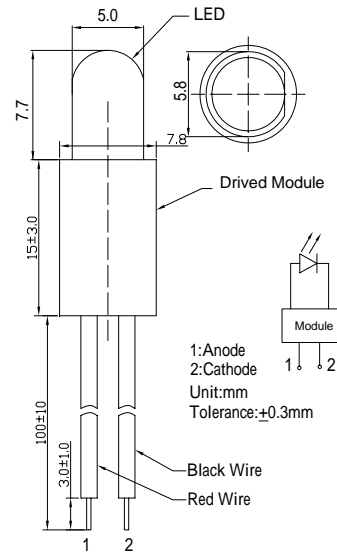
### Features

- High Luminous LEDs
- 5mm Round Standard Directivity
- Superior Weather-resistance
- UV Resistant Epoxy
- 12V DC LED
- Water Clear Type

### Applications

- Electronic Signs And Signals
- Other Lighting

### Outline Dimension

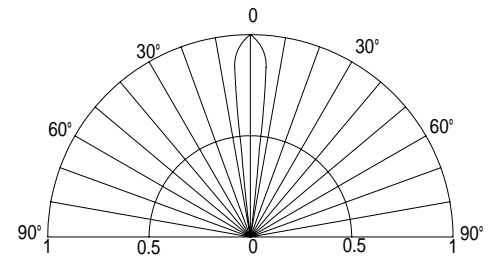


### Absolute Maximum Rating

( $T_a=25$  )

Item	Symbol	Value	Unit
DC Voltage	$V_f$	14	V
DC Current	$I_f$	8	mA
Power Dissipation	$P_D$	112	mW
Operating Temperature	$T_{opr}$	-30 ~ +85	
Storage Temperature	$T_{stg}$	-30 ~ +85	
Lead Soldering Temperature	$T_{sol}$	260 /5sec	-

### Directivity



### Electrical -Optical Characteristics

( $T_a=25$  )

Part Number	Color		$I_f$ (mA)			$I_v$ (mcd)*			$\lambda D$ (nm)*			2 $\theta_{1/2}$ (deg)
			Min	Typ.	Max.	Min.	Typ.	Max.	Min.	Typ.	Max.	Typ.
			$V_f=12V$			$V_f=12V$						
OSW5DK5111A-CCW	Cool White	W	6	7	8	10000	12000	14400	X=0.27, Y=0.28			15
OSM5DK5111A-CCW	Warm White	M	6	7	8	8400	10000	12000	X=0.45, Y=0.41			15
OSB5SA5111A-CCW	Blue	B	6	7	8	3000	4200	5800	465	470	475	15
OSG5DA5111A-CCW	Pure Green	G	6	7	8	12000	14400	18000	520	525	530	15
OSG8JA5111A-CCW	Yellow Green	YG	6	7	8	330	500	750	565	570	575	15
OSY5JA5111A-CCW	Yellow	Y	6	7	8	1120	1560	2180	585	590	595	15
OSO5JA5111A-CCW	Orange	O	6	7	8	1560	2180	3000	600	605	610	15
OSR5JA5111A-CCW	Red	R	6	7	8	1120	1560	2180	620	625	630	15

\*1 Tolerance of chromaticity coordinates is  $\pm 10\%$ , Tolerance of  $\lambda D$  is  $\pm 1nm$ .

\*2 Tolerance of luminous intensity is  $\pm 15\%$