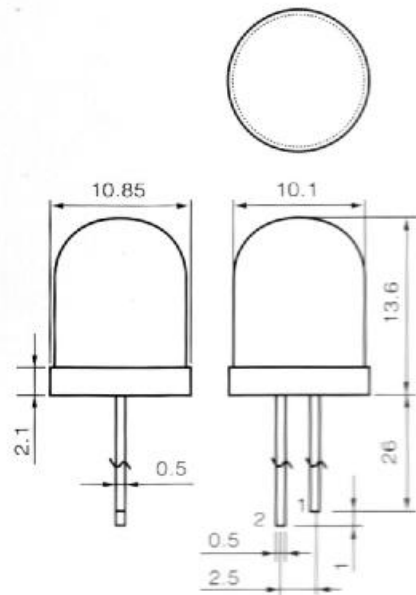


Single Color LED Lamp

■ Package Outline Drawing



Unit : mm
Tolerance : ± 0.1
1 : Cathode
2 : Anode

Protruded resin under flange 1.5mm (0.59") max

Electro-Optical Characteristics

Part Number	Lighting Color	Material	Lens Color	$I_f = 20\text{mA}$			
				V_f (Typ)	λ_p	I_v (Typ)	View Angel
MLA0RD1C	Red	GaP	Red Diffused	2.2	700	3	40
MLA0HD1C	Red	GaAsP	Red Diffused	2.0	630	20	40
MLA0HY1C	Yellow	GaAsP	Yellow Diffused	2.2	590	12	40
MLA0YG1C	Green	Gap	Green Diffused	2.2	570	18	40
MLA0PG1C	Green	GaP	Green Diffused	2.25	555	5	40
MLA0RT3N-B9I	Red	A1GaInP	Water Clear	2.0	642	4,700	15
MLA0R13N-BCH	Red	A1GaInP	Water Clear	2.0	632	2,800	15
MLA0A13N-BCH	Amber	A1GaInP	Water Clear	2.0	610	2,800	15
MLA0Y13N-BCH	Yellow	A1GaInP	Water Clear	2.0	590	2,800	15
MLA0G63N-B9E	Green	A1GaInP	Water Clear	2.0	570	1,500	15
MLA0G43H-BEJ	Green	InGaN	Water Clear	3.5	525	5,000	15
MLA0G23H-BEJ	Green	InGaN	Water Clear	3.5	505	4,700	15
MLA0B13H-BEF	Blue	InGaN	Water Clear	3.5	465	2,500	15
MLA0W13H-BEE	White	InGaN	Water Clear	3.5	-	5,000	15

Absolute Maximum Ratings

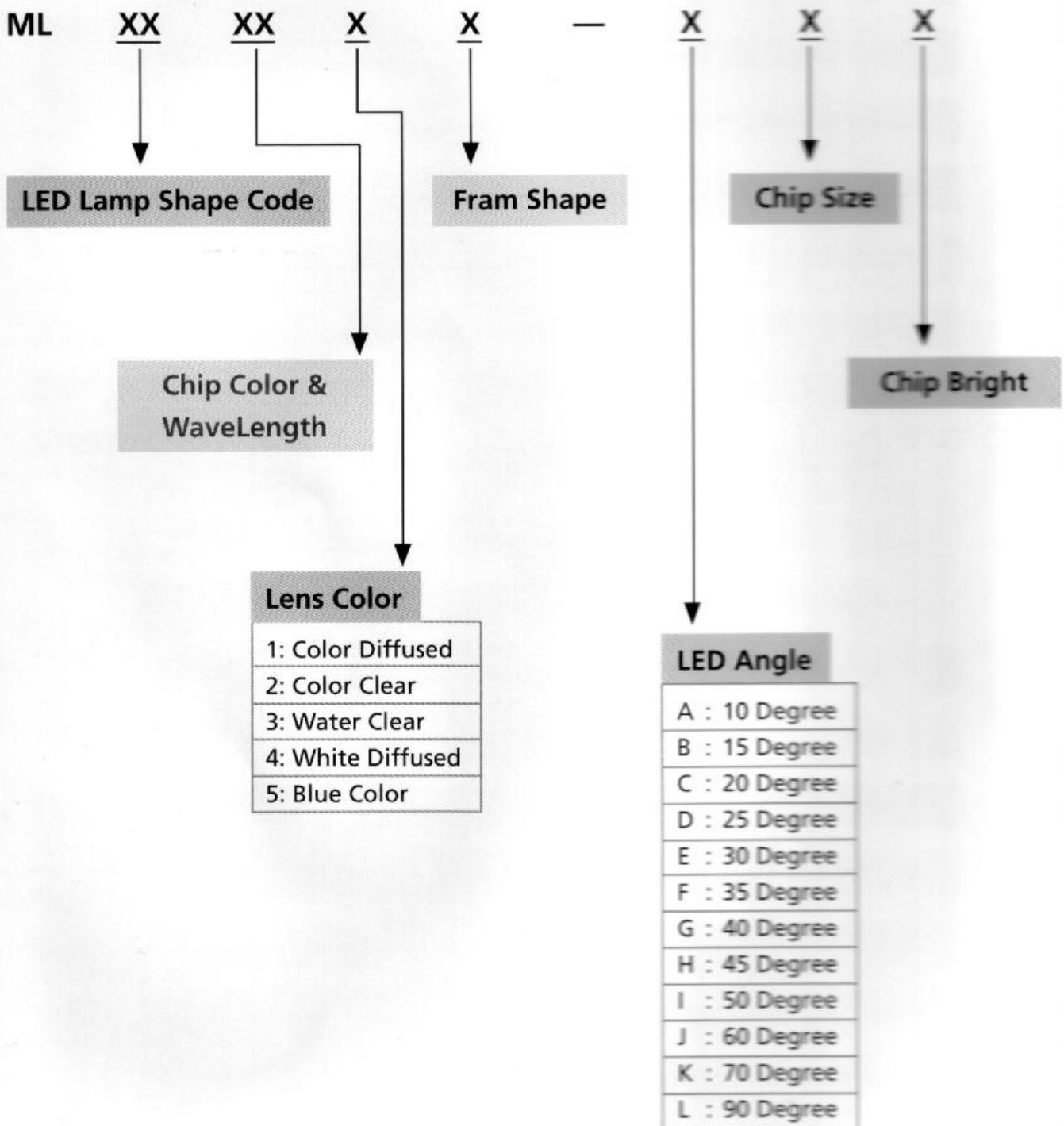
Material	P_d (mW)	I_f (mA)	I_{FP} (mA)	V_R (V)	T_{OP} (°C)	T_{ST} (°C)
GaP & GaAsP	85	20				
GaAlAs	100	20	100 ^{REMARK}	5	-25 ~ +100	-40 ~ +100
InAlGaP & InGaN	110	25				

($T_a = 25^\circ\text{C}$)

Remark : Condition for I_{FP} is pulse of 1/10 duty and 0.1 msec width.

MIC Item Number System

Single Color LED Lamp Series



Remark: For the single color LED lamp in the material of GaP & GaAsP, its item number will be showed in only the front 8 alphabets to instead.