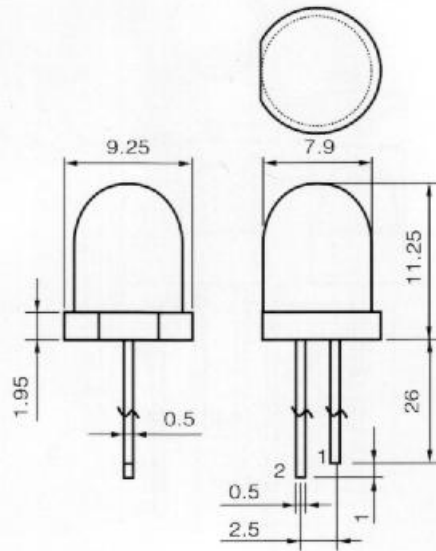


Single Color LED Lamp

Package Outline Drawing



Unit : mm
Tolerance : ± 0.1
1 : Cathode
2 : Anode

Protruded resin under flange 1.5mm (0.59") max

Electro-Optical Characteristics

Part Number	Lighting Color	Material	Lens Color	$I_F = 20\text{mA}$			
				Vf (Typ)	λ_p	Iv (Typ)	View Angel
ML80RD1C	Red	GaP	Red Diffused	2.2	700	3	40
ML80HD1C	Red	GaAsP	Red Diffused	2.0	630	20	40
ML80HY1C	Yellow	GaAsP	Yellow Diffused	2.2	590	12	40
ML80YG1C	Green	Gap	Green Diffused	2.2	570	18	40
ML80PG1C	Green	GaP	Green Diffused	2.25	555	5	40
ML80RT3N-BCI	Red	A1GaInP	Water Clear	2.0	642	4,500	15
ML80R13N-BCH	Red	A1GaInP	Water Clear	2.0	632	2,500	15
ML80A13N-BCH	Amber	A1GaInP	Water Clear	2.0	610	2,500	15
ML80Y13N-BCH	Yellow	A1GaInP	Water Clear	2.0	590	2,500	15
ML80G63N-B9E	Green	A1GaInP	Water Clear	2.0	570	1,200	15
ML80G43H-BEJ	Green	InGaN	Water Clear	3.5	525	4,500	15
ML80G23H-BEJ	Green	InGaN	Water Clear	3.5	505	4,000	15
ML80B13H-BEF	Blue	InGaN	Water Clear	3.5	465	2,000	15
ML80W13H-BEE	White	InGaN	Water Clear	3.5	-	4,000	15

Absolute Maximum Ratings

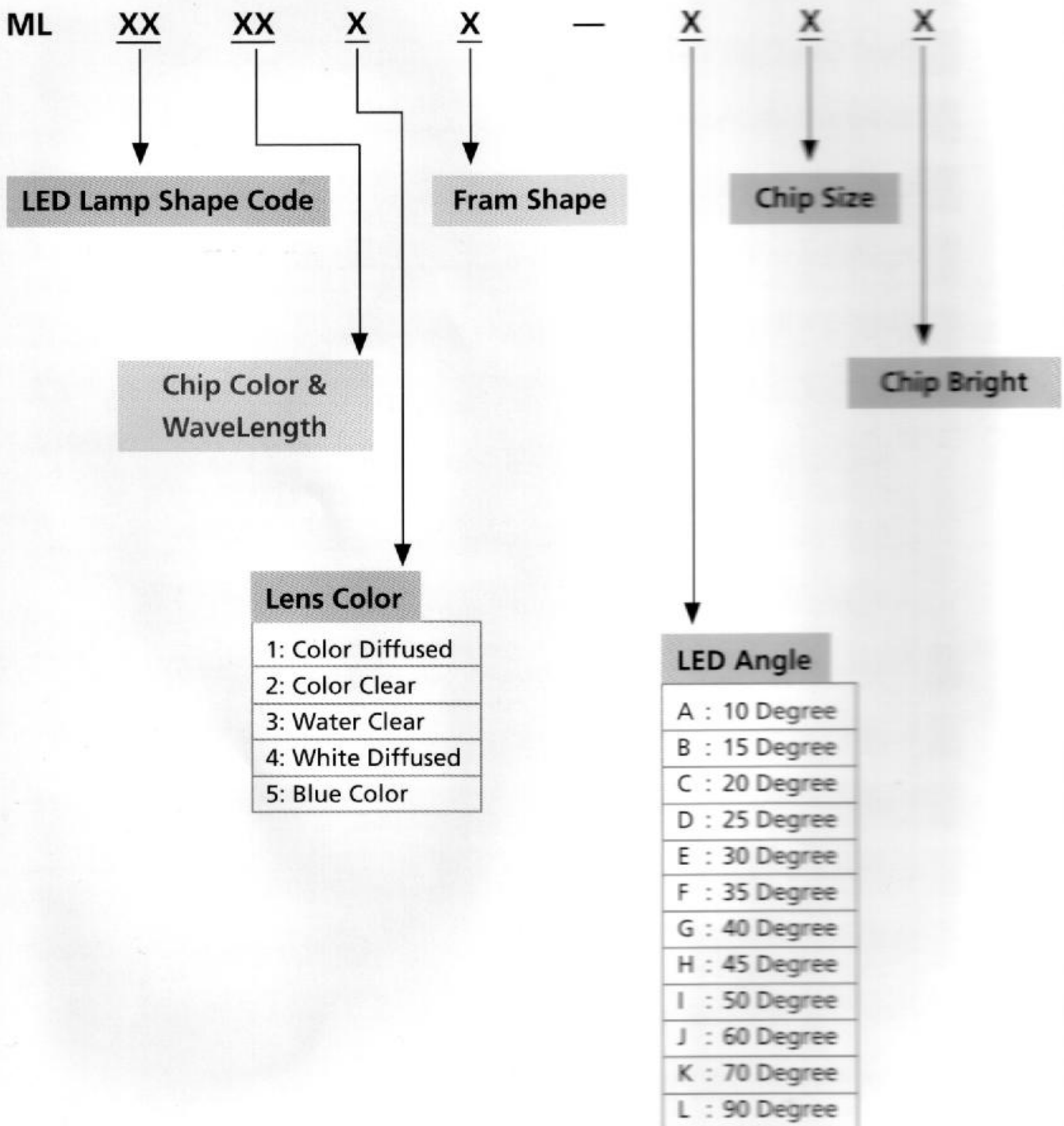
Material	Pd (mW)	I_F (mA)	I_{FP} (mA)	V_R (V)	T_{OP} (°C)	T_{ST} (°C)
GaP & GaAsP	85	20				
GaAlAs	100	20	100 ^{REMARK}	5	-25 ~ +100	-40 ~ +100
InAlGaP & InGaN	110	25				

(Ta=25°C)

Remark : Condition for I_{FP} is pulse of 1/10 duty and 0.1 msec width.

MIC Item Number System

Single Color LED Lamp Series



Remark: For the single color LED lamp in the material of GaP & GaAsP, its item number will be showed in only the front 8 alphabets to instead.