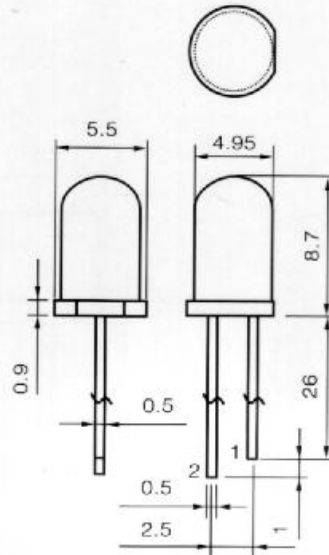


Single Color LED Lamp

■ Package Outline Drawing



Unit : mm
Tolerance : ± 0.1
1 : Cathode
2 : Anode

Protruded resin under flange 1.5mm (0.59") max

Electro-Optical Characteristics

Part Number	Lighting Color	Material	Lens Color	$I_f = 20\text{mA}$			
				Vf (Typ)	λ_p	Iv (Typ)	View Angel
MLS0RD1C	Red	GaP	Red Diffused	2.2	700	5	45
MLS0HD1C	Red	GaAsP	Red Diffused	2.0	630	25	45
MLS0HY1C	Yellow	GaAsP	Yellow Diffused	2.2	590	15	45
MLS0YG1C	Green	Gap	Green Diffused	2.2	570	20	45
MLS0PG1C	Green	GaP	Green Diffused	2.25	555	7	45
MLS0SR3N-B8B	Red	GaAlAs	Water Clear	1.8	660	350	15
MLS0SB3N-BAC	Red	GaAlAs	Water Clear	1.8	660	700	15
MLS0UR3N-BCE	Red	GaAlAs	Water Clear	1.8	660	1,400	15
MLS0RT3N-B9I	Red	A1GalnP	Water Clear	2.0	642	5,000	15
MLS0R13N-B9H	Red	A1GalnP	Water Clear	2.0	632	3,500	15
MLS0A13N-B9H	Amber	A1GalnP	Water Clear	2.0	610	3,500	15
MLS0Y13N-B9H	Yellow	A1GalnP	Water Clear	2.0	590	3,500	15
MLS0G63N-B9E	Green	A1GalnP	Water Clear	2.0	570	1,200	15
MLS0G43H-BEJ	Green	InGaN	Water Clear	3.5	525	6,000	15
MLS0G23H-BEJ	Green	InGaN	Water Clear	3.5	505	5,500	15
MLS0B13H-BEF	Blue	InGaN	Water Clear	3.5	465	2,500	15
MLS0W13H-BEE	White	InGaN	Water Clear	3.5	-	6,000	15

Absolute Maximum Ratings

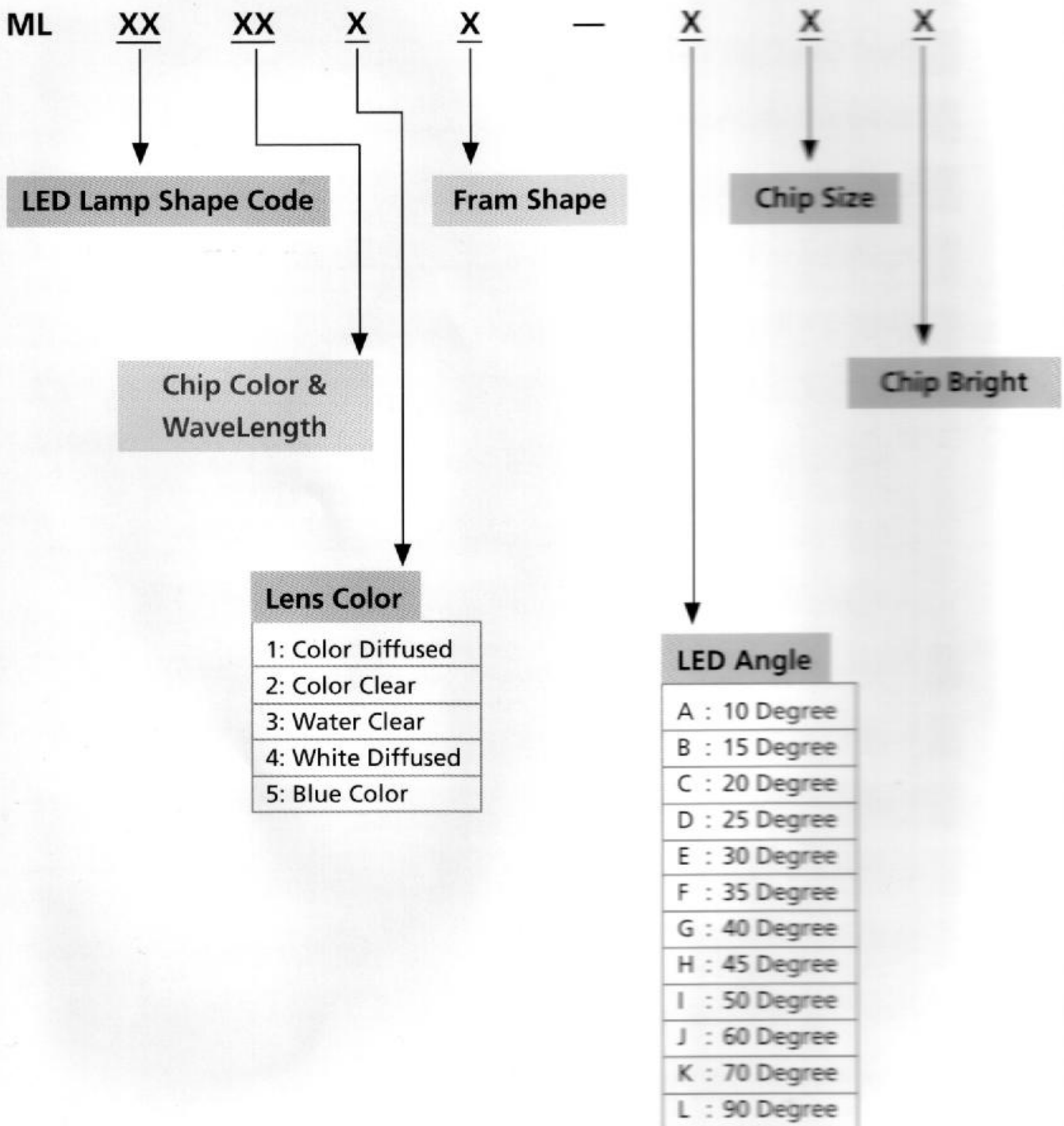
Material	Pd (mW)	I_f (mA)	I_{FP} (mA)	V_R (V)	T_{OP} (°C)	T_{ST} (°C)
GaP & GaAsP	85	20				
GaAlAs	100	20	100 ^{REMARK}	5	-25 ~ +100	-40 ~ +100
InAlGaP & InGaN	110	25				

($T_a = 25^\circ\text{C}$)

Remark : Condition for I_{FP} is pulse of 1/10 duty and 0.1 msec width.

MIC Item Number System

Single Color LED Lamp Series



Remark: For the single color LED lamp in the material of GaP & GaAsP, its item number will be showed in only the front 8 alphabets to instead.