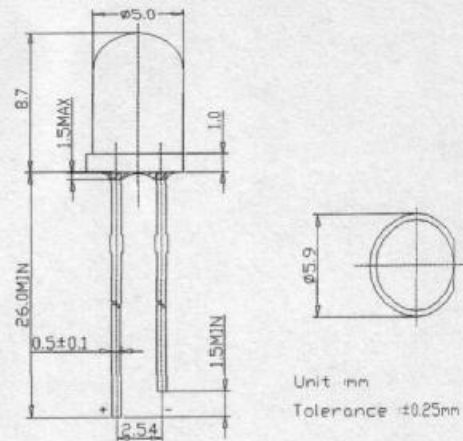


**■Features**

- 5mm Standard Directivity
- Superior Weather-resistance
- UV Resistant Epoxy
- Color Diffused
- RoHS compliant

**■Applications**

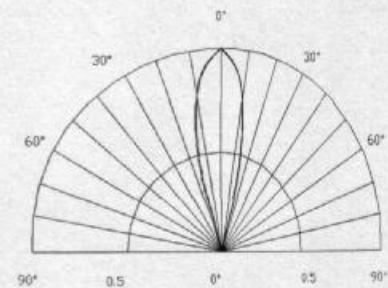
- Toys
- Games
- General Use

**■Outline Dimension**

**■Absolute Maximum Rating**

(Ta=25°C)

Item	Symbol	Value	Unit
DC Forward Current	$I_F$	50	mA
Pulse Forward Current*	$I_{FP}$	150	mA
Reverse Voltage	$V_R$	5	V
Power Dissipation	$P_D$	200	mW
Operating Temperature	$T_{opr}$	-30 ~ +85	°C
Storage Temperature	$T_{stg}$	-30 ~ +100	°C
Lead Soldering Temperature	$T_{sol}$	260°C/5sec	-

\*Pulse width Max. 10ms Duty ratio max 1/10

**■Directivity**

**■Electrical -Optical Characteristics**

(Ta=25°C)

Item	Symbol	Condition	Min	Typ	Max	Unit
DC Forward Voltage	$V_F$	$I_F=2mA$	1.8	2.0	2.4	V
DC Reverse Current	$I_R$	$V_R=5V$	-	-	30	$\mu A$
Domi. Wavelength	$\lambda_D$	$I_F=20mA$	585	590	595	nm
Luminous Intensity	$I_v$	$I_F=20mA$	68	100	150	med
		$I_F=2mA$	10	15	20	
50% Power Angle	$2\theta_{1/2}$	$I_F=20mA$	-	30	-	deg

**LED & Application Technologies**