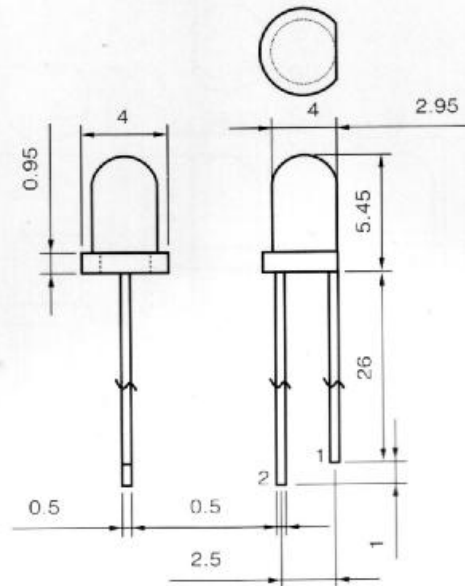


Single Color LED Lamp

■ Package Outline Drawing



Unit : mm
 Tolerance : ± 0.1
 1 : Cathode
 2 : Anode

Protruded resin under flange 1.5mm (0.59") max

Electro-Optical Characteristics

Part Number	Lighting Color	Material	Lens Color	$I_f = 20\text{mA}$			
				V_f (Typ)	λ_p	I_v (Typ)	View Angel
ML30RD1F	Red	GaP	Red Diffused	2.2	700	2	45
ML30HD1F	Red	GaAsP	Red Diffused	2.0	630	20	45
ML30HY1F	Yellow	GaAsP	Yellow Diffused	2.2	590	10	45
ML30YG1F	Green	Gap	Green Diffused	2.2	570	15	45
ML30PG1F	Green	GaP	Green Diffused	2.25	555	4	45
ML30SR3F-B8B	Red	GaA1As	Water Clear	1.8	660	150	15
ML30SB3F-BAC	Red	GaA1As	Water Clear	1.8	660	250	15
ML30UR3F-BCE	Red	GaA1As	Water Clear	1.8	660	480	15
ML30RT3F-B9I	Red	A1GalnP	Water Clear	2.0	642	1,800	15
ML30R13F-B9H	Red	A1GalnP	Water Clear	2.0	632	1,100	15
ML30A13F-B9H	Amber	A1GalnP	Water Clear	2.0	610	1,100	15
ML30Y13F-B9H	Yellow	A1GalnP	Water Clear	2.0	590	1,100	15
ML30G63F-B9E	Green	A1GalnP	Water Clear	2.0	570	600	15
ML30G43H-BEJ	Green	InGaN	Water Clear	3.5	525	1,300	15
ML30G23H-BEJ	Green	InGaN	Water Clear	3.5	505	1,100	15
ML30B13H-BEF	Blue	InGaN	Water Clear	3.5	465	800	15
ML30W13H-BEE	White	InGaN	Water Clear	3.5	-	1,800	15

Absolute Maximum Ratings

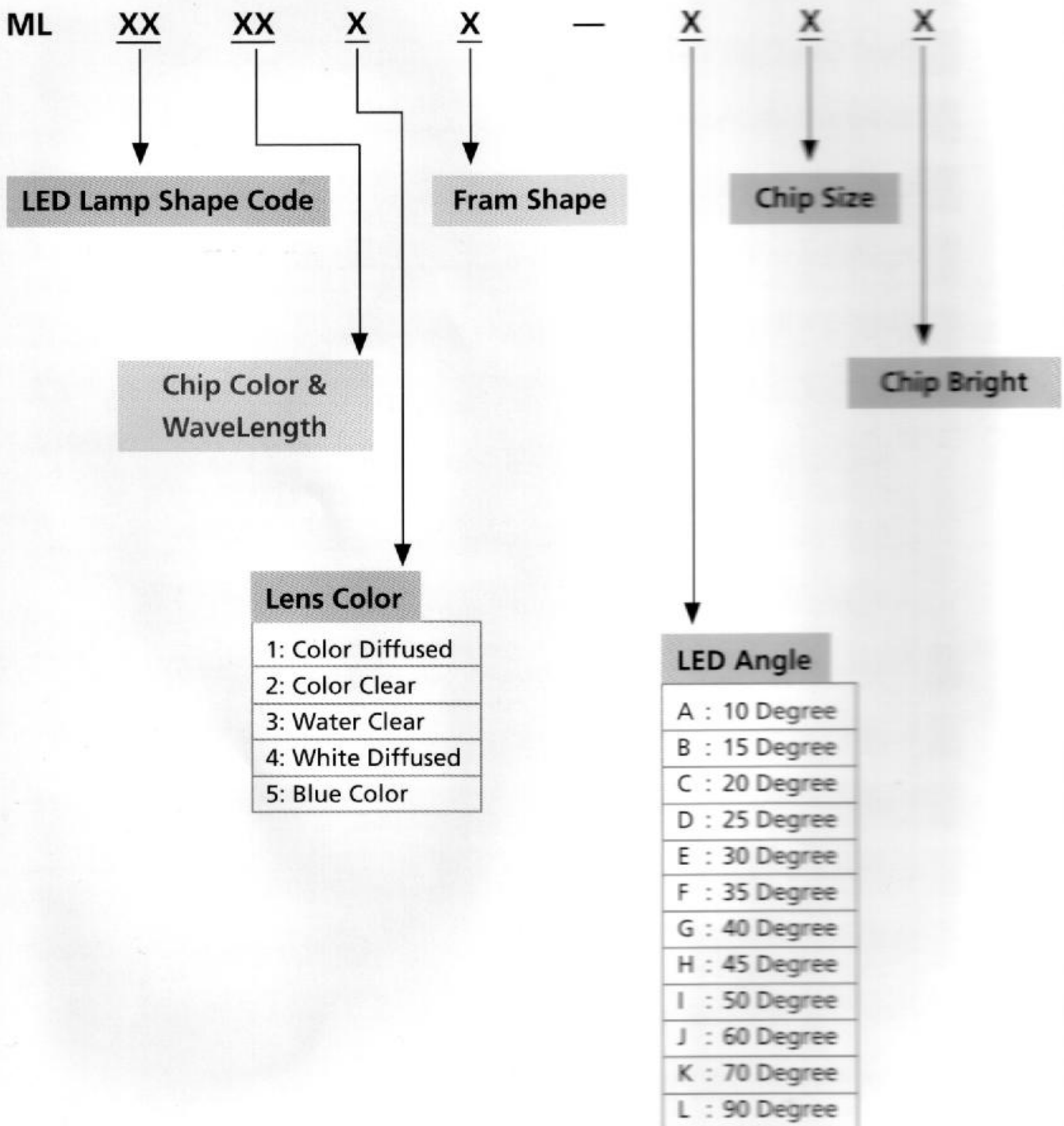
Material	P_d (mW)	I_f (mA)	I_{FP} (mA)	V_R (V)	T_{OP} (°C)	T_{ST} (°C)
GaP & GaAsP	85	20				
GaA1As	100	20	100 ^{REMARK}	5	-25 ~ +100	-40 ~ +100
InGaP & InGaN	110	25				

($T_a = 25^\circ\text{C}$)

REMARK : Condition for I_{FP} is pulse of 1/10 duty and 0.1 msec width.

MIC Item Number System

Single Color LED Lamp Series



Remark: For the single color LED lamp in the material of GaP & GaAsP, its item number will be showed in only the front 8 alphabets to instead.